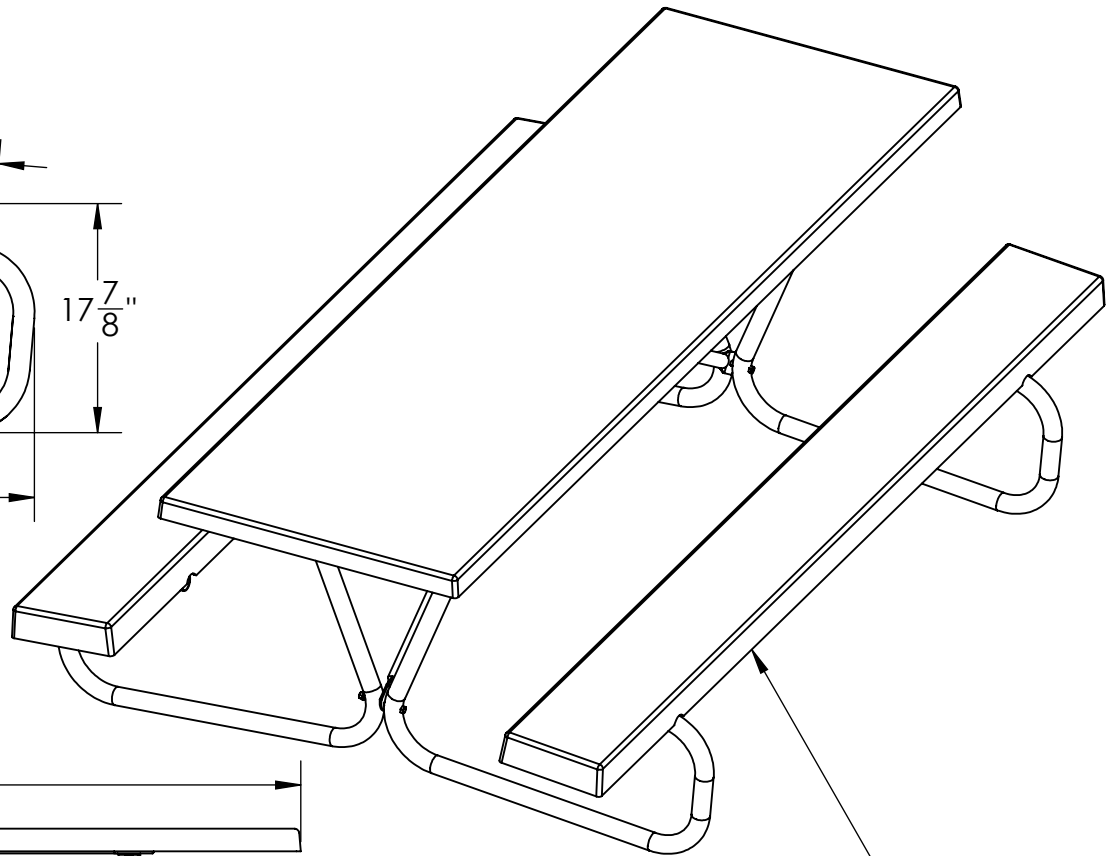
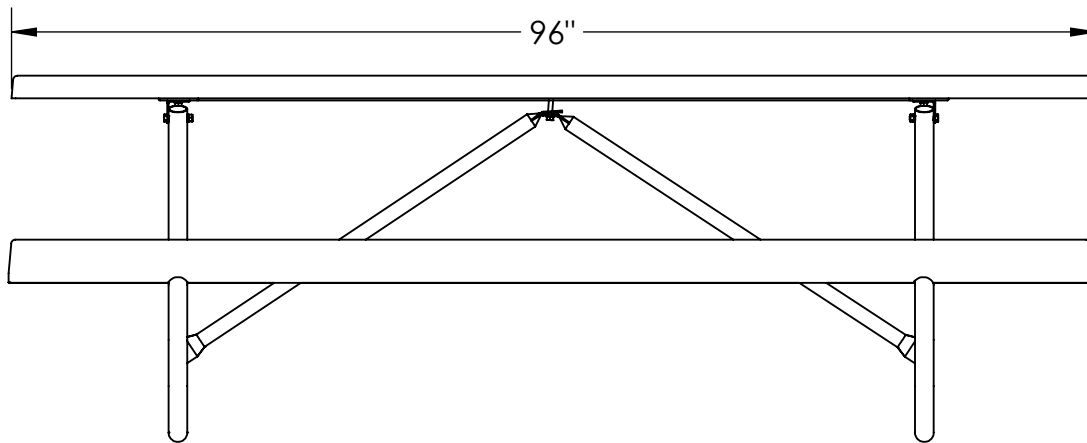


TABLE RESTS ON 4 OUTSIDE
CORNERS TO PREVENT
ROCKING UNEVEN GROUND



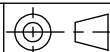
FIBERGLASS TOP AND SEATS



WGT: 260 LBS

GENERAL NOTES

DIMENSIONS ARE IN INCHES
TOLERANCES: LINEAR: $\pm 1/16$
ANGULAR: $\pm 1^\circ$



SHEET SIZE

A

SCALE

1:17

REV



Kay Park Rec.

CONFIDENTIAL DRAWING.
INFORMATION IS NOT TO BE COPIED OR
DISCLOSED TO OTHERS WITHOUT
CONSENT OF KAY INDUSTRIES.
SPECIFICATIONS SUBJECT TO CHANGE
WITHOUT NOTICE.

DRAWN BY

JNB

6/2/2017

DESC:

8' BG TABLE W/ FIBERGLASS TOP AND SEATS

APPROVED

MATL:

LAST SAVED

johnb

6/5/2017

PART NO: 8BGF