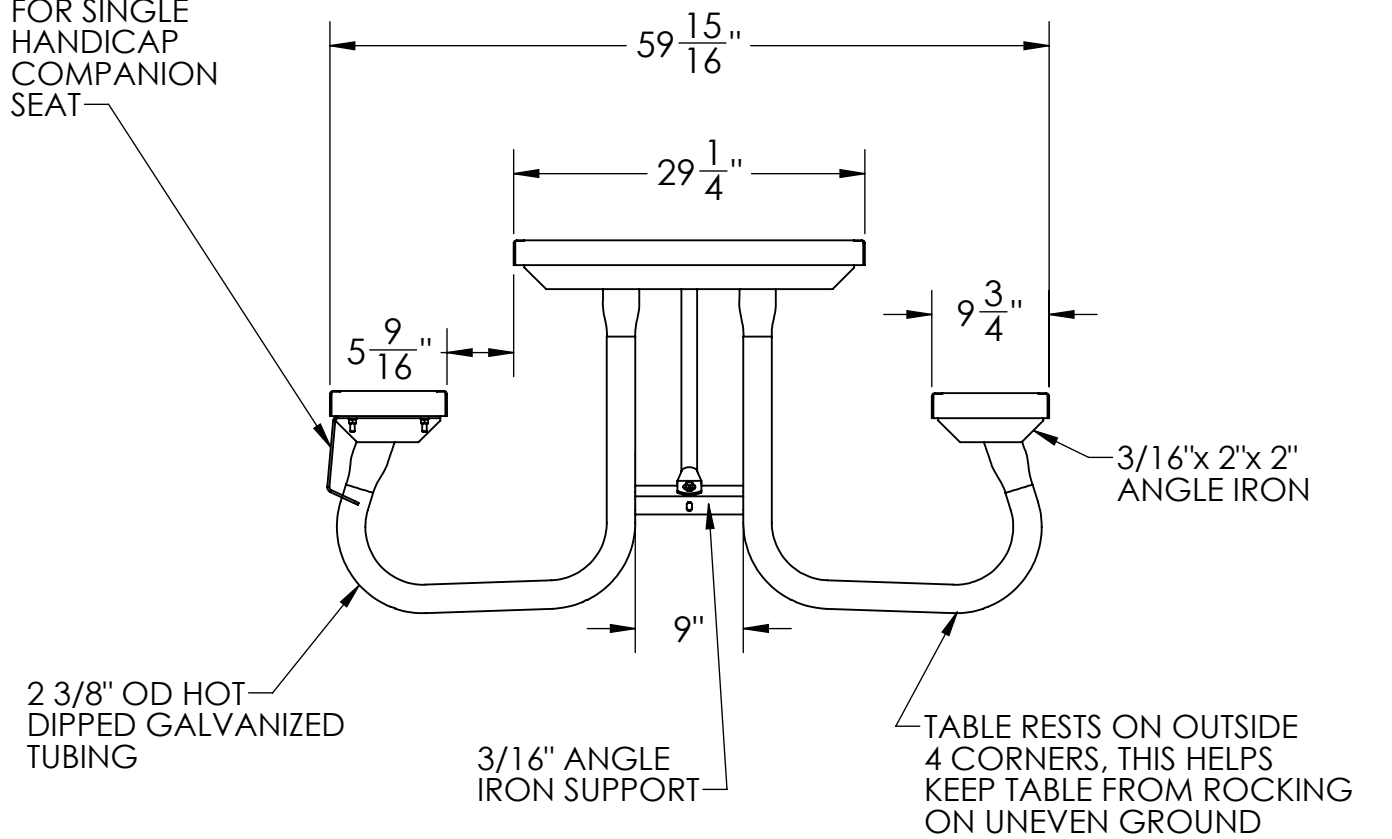


SEAT SUPPORT FOR SINGLE HANDICAP COMPANION SEAT



GENERAL NOTES

DIMENSIONS ARE IN INCHES
TOLERANCES: LINEAR: ± 1/16"
ANGULAR: ± 1°

CONFIDENTIAL DRAWING.
INFORMATION IS NOT TO BE COPIED OR
DISCLOSED TO OTHERS WITHOUT
CONSENT OF KAY INDUSTRIES.
SPECIFICATIONS SUBJECT TO CHANGE
WITHOUT NOTICE.

SHEET SIZE
B

SCALE
1:24

REV



Kay Park Rec.

DRAWN BY

DAT

3/1/2017

DESC:

6' VP SEATS/TOPS HC TABLE

APPROVED

MATL:

LAST SAVED

davet

3/1/2017

PART NO: 6J2GVPSWC