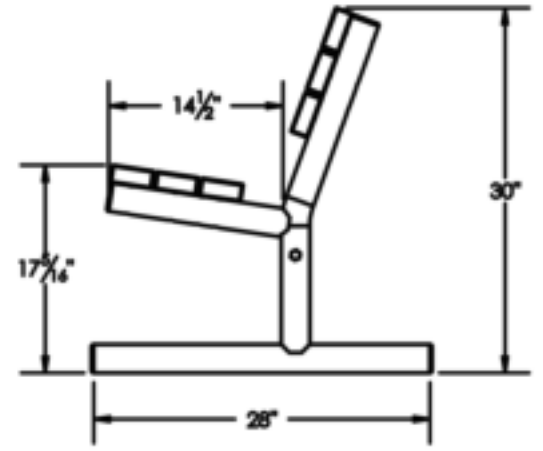
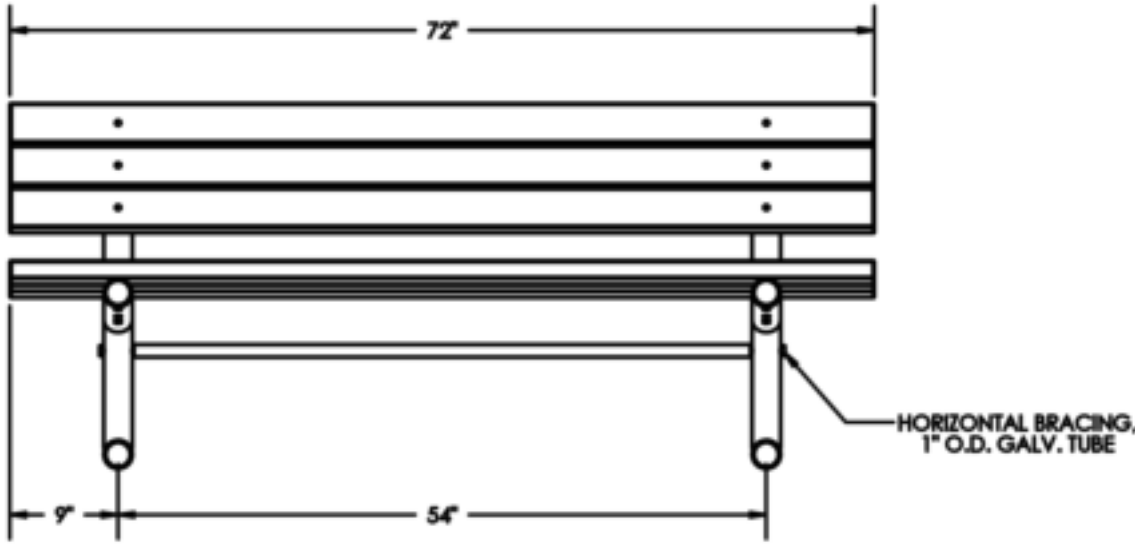
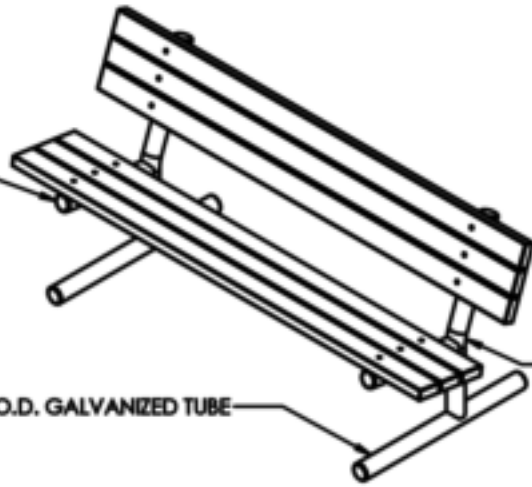


TUBE ENDS ARE CAPPED WITH VANDAL AND UV RESISTANT PLASTIC CAPS

2  $\frac{3}{8}$ " O.D. GALVANIZED TUBE

ALL WELDS ARE CLEANED, COLD GALVANIZED, AND PAINTED FOR A LONG LIFE



Sheet 1 of 1	Initials	Date	<b>Spec Drawing</b>	Model #: 62PGPS
Drawn by	BGS	6/9/2014	Description: 6' 2"x4" PORTABLE BENCH	
Note: This drawing and all information contained herein is the property of Kay Park Rec. and is not to be reproduced without express written permission. Kay Park Rec. assumes no responsibility for unauthorized use of this drawing.			Material: GALV. STEEL, TREATED YELLOW PINE	
			Weight: 93 lbs	



**Kay Park Recreation**  
 Making People Places, People Friendly Since 1954!  
 Email us: [sales@kaypark.com](mailto:sales@kaypark.com) or Call us: (800)553-2476  
 1301 Pine St. P.O. Box 477 Janesville, IA 50647