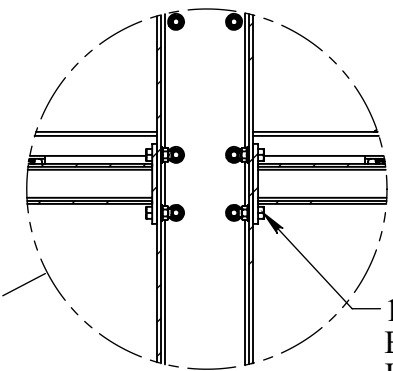
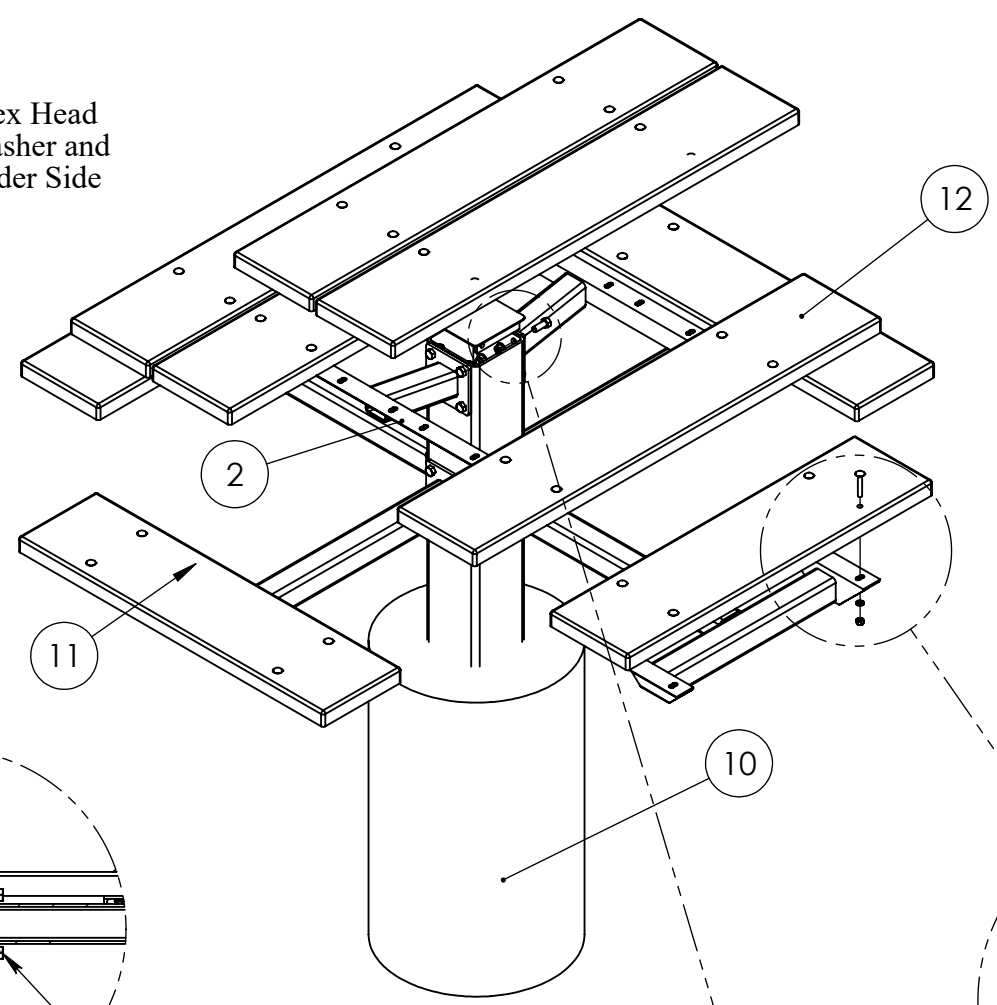
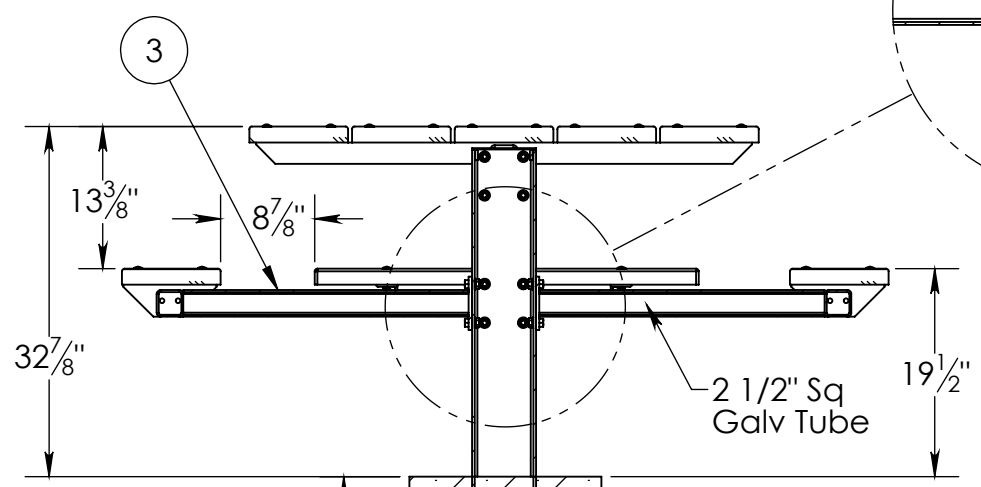


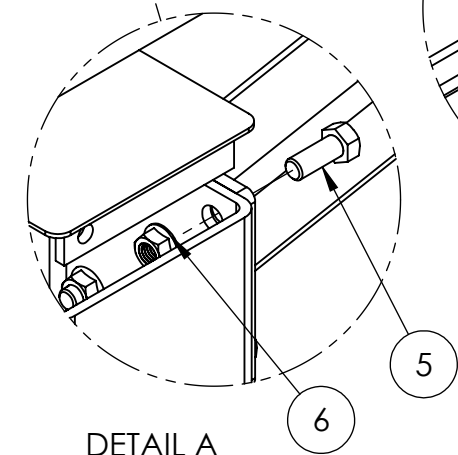
3/8"x 2 14" Hex Head Bolt, Lock Washer and Nut on the Under Side



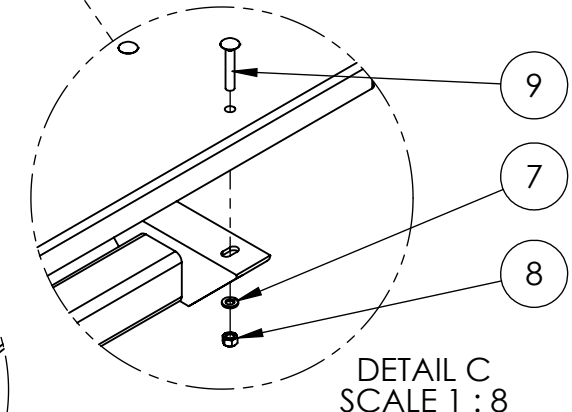
1/2"x 1 1/4" Hex Head Bolt, Flanged Nut on the Inside  
DETAIL B  
SCALE 1 : 12



SECTION A-A  
SCALE 1 : 18



DETAIL A  
SCALE 1 : 4



DETAIL C  
SCALE 1 : 8

1. Attach (4) Seat Arm Assemblies, Flanged Nuts are on the Inside of the Square Tube.
  2. Attach the Top Arm Assemblies, Flanged Nuts are on the Inside of the Square Tube.
  3. Attach the Seat and Top Planks.
- Be Aware when Reaching Inside of Square Tube to Assemble Arms, Top Surface of Galvanized Edges may be Sharp**

ITEM NO.	PART NUMBER	DESCRIPTION	QTY.
1	4SPT-103	4SPT - PEDESTAL POST GALV	1
2	4SPTW-SA1	TOP ARM ASSY WOOD-ALUM-RP	2
3	4SPT-SA2	SEAT ARM ASSY 22" SEAT MOUNT	4
4	ISPTC-SA5	PEDESTAL CAP ASSY GALV	1
5	HBOLT 0.5000-13x1.25x1.25-N	HEX BOLT 1/2"-13x 1 1/4"	24
6	FLANGEN-1/2	1/2"-13 FLANGED NUT	24
7	Regular LW 0.375	LOCK WASHER 3/8"	36
8	HNUT 0.3750-16-D-N	HEX NUT 3/8"-16	36
9	RHSNBOLT 0.375-16x2.25x1-N	CARRIAGE BOLT 3/8"-16x 2 1/4"	36
10	CONCRETE SONO TUBE		1
11	3SQW-7	2"x 10" SYP TREATED SEAT PLANK	4
12	4SQW-7	SJ 2"x 10" SYP TREATED TOP PLANK	5

CHECK WITH LOCAL BUILDING CODES CONCRETE SPECIFICATIONS

GENERAL NOTES:		UNLESS OTHERWISE SPECIFIED:		NAME	DATE	
		DIMENSIONS ARE IN INCHES TOLERANCES: FRACTIONAL ± 1/32 BEND ± 1/2° THREE PLACE DECIMAL ± .005 Do Not Scale Drawing		DRAWN	DAT	
		MATERIAL		CHECKED		
				ENG APPR.		DESC. SINGLE POST TABLE SYP TREATED 2" X 10" PLANKS
				MFG APPR.		S:\CADDRWGS\Solidworks\Tables\SPT\Tables\
				Last Saved	1/27/2017 1:39:30 PM	SIZE PART NO. <b>4SPTGW</b> REV
				COMMENTS:		
		SHEET 1 OF 1				

Confidential Drawing and Information is Not to be Copied or Disclosed to Others without the Consent of Kay Industries. Specifications are Subject to Change without Notice