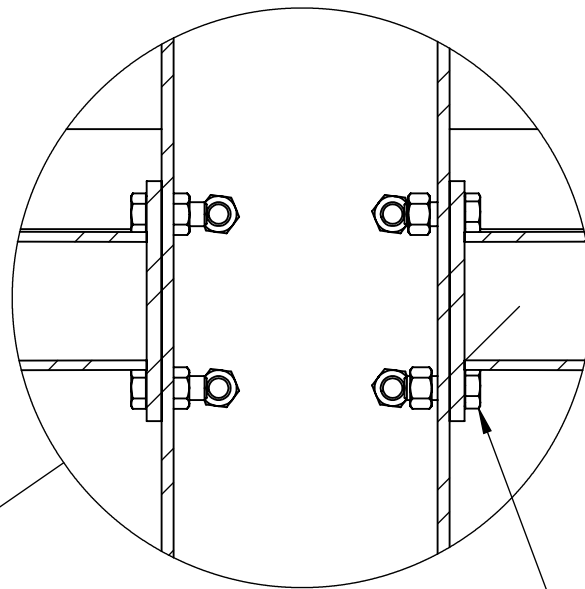
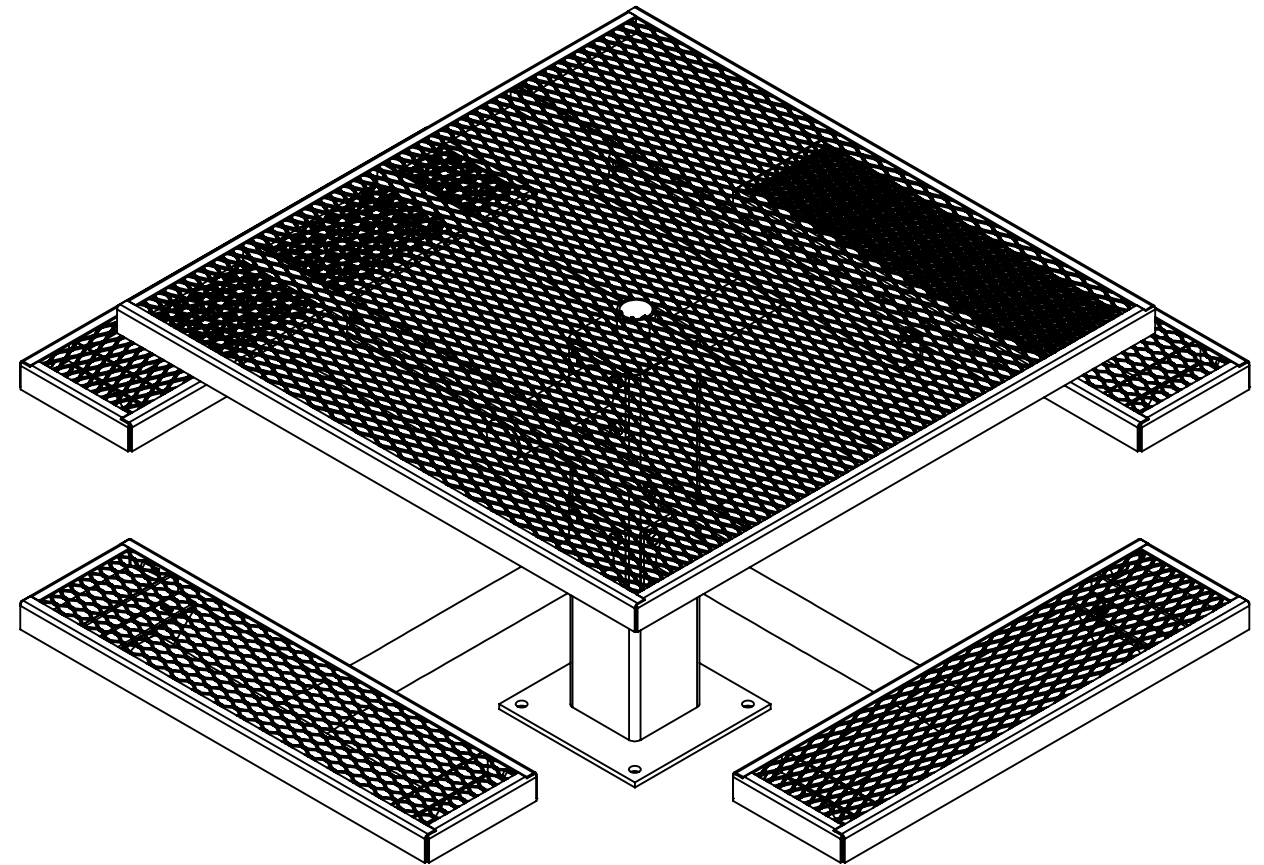


SECTION A-A  
SCALE 1 : 18



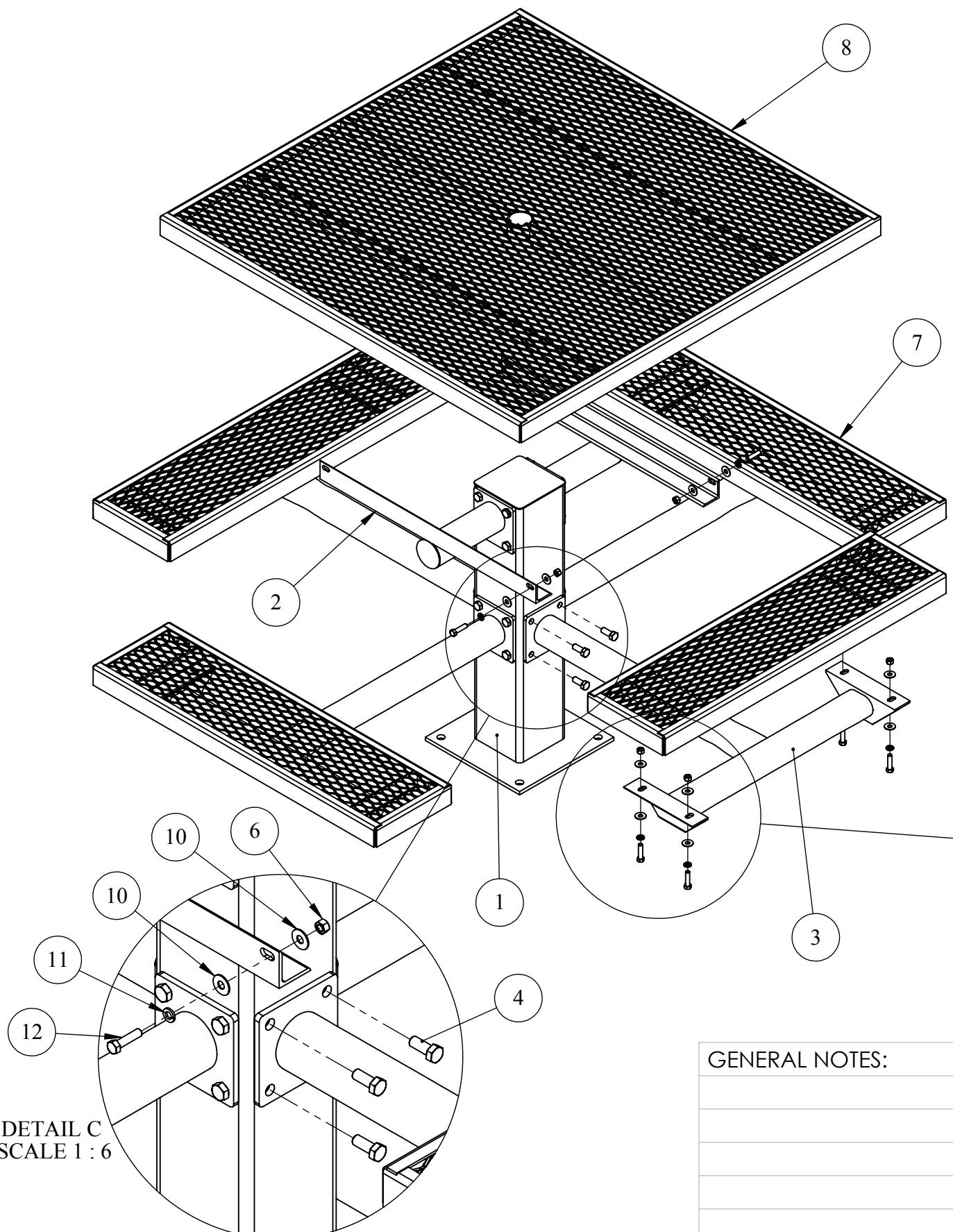
DETAIL B  
SCALE 1 : 4

1/2"x 1 1/4" Hex Head Bolt  
with 1/2" Flanged Nut on the  
Inside of the Tubing



CONFIDENTIAL DRAWING AND INFORMATION IS NOT TO BE COPIED OR DISCLOSED TO OTHERS WITHOUT THE CONSENT OF KAY PARK. SPECIFICATIONS ARE SUBJECT TO CHANGE WITHOUT NOTICE.

GENERAL NOTES:		UNLESS OTHERWISE SPECIFIED:		NAME	DATE		TITLE: Kay Park Rec	
		DIMENSIONS ARE IN INCHES TOLERANCES: FRACTIONAL ± 1/32 BEND ± 1/2° THREE PLACE DECIMAL ± .005 Do Not Scale Drawing		DRAWN	DAT		6/19/2014	DESC. SINGLE POST SQUARE TABLE VINYL PLASTIC SURFACE MOUNT
		MATERIAL		CHECKED			S:\CADDRWGS\Solidworks\Tables\SPT\Tables\	
				ENG APPR.			SIZE	
				MFG APPR.			PART NO. 4SPTGVPSM	
				Last Saved	6/19/2014 2:17:31 PM		REV	
				COMMENTS:			Without Concrete Sono Tube	
		SHEET 1 OF 2						
Path to Part or Assy - 4SPTGVPSM		S:\CADDRWGS\Solidworks\Tables\SPT\Tables\						



DETAIL C  
SCALE 1 : 6

DETAIL D  
SCALE 1 : 8

CONFIDENTIAL DRAWING AND INFORMATION IS NOT TO BE COPIED OR DISCLOSED TO OTHERS WITHOUT THE CONSENT OF KAY PARK. SPECIFICATIONS ARE SUBJECT TO CHANGE WITHOUT NOTICE.

ITEM NO.	PART NUMBER	DESCRIPTION	Without Concrete Sono Tube/QTY.
1	4SPTSM-SA1	4SPTSM PEDESTAL POST GALV	1
2	4SPT-SA1	4SPT VP TOP ARM ASSEMBLY GALV	2
3	4SPT-SA2	4SPT-SEAT ARM ASSEMBLY GALV	4
4	HFBOLT 0.5-13x1.25x1.25-N	1/2"-13x 1 1/4" HEX HEAD BOLT	24
5	HNUT 0.5000-13-D-N	1/2"-13 FLANGED NUT	24
6	HNUT 0.3750-16-D-N	3/8"-16 HEX NUT	20
7	3IV-8	3 Ft. VP SEAT	4
8	SQV-9	4 Ft. SQUARE VP TOP	1
9	ISPTC-SA5	PEDESTAL CAP ASSEMBLY PAINT	1
10	FLATW-3/8	FLAT WASHER 3/8"	40
11	LOCK WASHER 3-8	LOCK WASHER 3/8"	20
12	HBOLT 0.3750-16x1.5x1-N	3/8"-16x 1 1/2" HRX HEAD BOLT	20

**CONSULT LOCAL BUILDING CODES FOR CONCRETE INSTALLATION SPECIFICATIONS**

1. Recommend using 5/8"x 5" Anchor Bolts to Secure Surface Mount Pedestal Base
2. Attach Lower Seat Arm Assemblies to Pedestal Post Using (4) 1/2" x 1/1/4" Hex Head Bolts, Flanged Nut will be Inside the Tube.
3. Pedestal Cap ISPTC-SA5 will Set On Top Pedestal Post Before Top Is Secured to Top Arm Assembly.
4. Attach Top Arm Assemblies Using (4) 1/2"x 1 1/4" Hex Head Bolt, Flanged Nut Will be Inside the Tube
5. Attach Expanded Metal Vinyl Coated to Top Arm Assemblies with 3/8"x 1 1/2" Hex Head Bolts, with a Washer Under the Bolt Head and a Washer, Lock Washer, and Nut on the Back Side
6. Attach the Expanded Vinyl Coated Seats to the Seat Arm Assembly Using the Same Hardware.

GENERAL NOTES:		UNLESS OTHERWISE SPECIFIED:	NAME	DATE		TITLE:	
		DIMENSIONS ARE IN INCHES TOLERANCES: FRACTIONAL ± 1/32 BEND ± 1/2° THREE PLACE DECIMAL ± .005 Do Not Scale Drawing	DRAWN	DAT		6/19/2014	DESC.
		MATERIAL	CHECKED			S:\CADDRWGS\Solidworks\Tables\SPT\Tables\	
			ENG APPR.			SIZE	
			MFG APPR.			PART NO.	
			Last Saved	6/19/2014 2:17:31 PM		4SPTGVPSM	
			COMMENTS:			REV	
						Without Concrete Sono Tube	
						SHEET 2 OF 2	
Path to Part or Assy - 4SPTGVPSM		S:\CADDRWGS\Solidworks\Tables\SPT\Tables\					