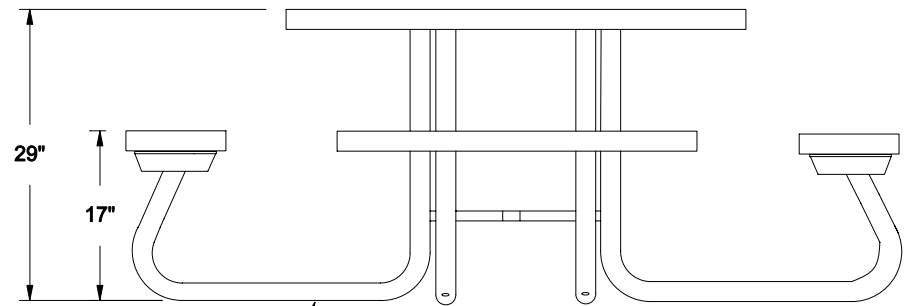


TOPS & SEATS ARE 3/4"x #9 EXPANDED METAL
 BORDERS ARE 3/4"x 2"x 10ga STEEL
 COATED WITH VINYLAST PLASTISOL



LEGS ARE 1 5/8" SCH 40 PIPE
 LEGS CAN BE HOT DIP GALVANIZED OR POWDER COATED AFTER FABRICATION

FILE NAME: 4SJCVP

KAY PARK-REC CORP.			
MODEL	4SJCVP & 4SJGVP		WT. 385 lbs.
DRAWN BY	LCB	DATE 05/04	SCALE NONE