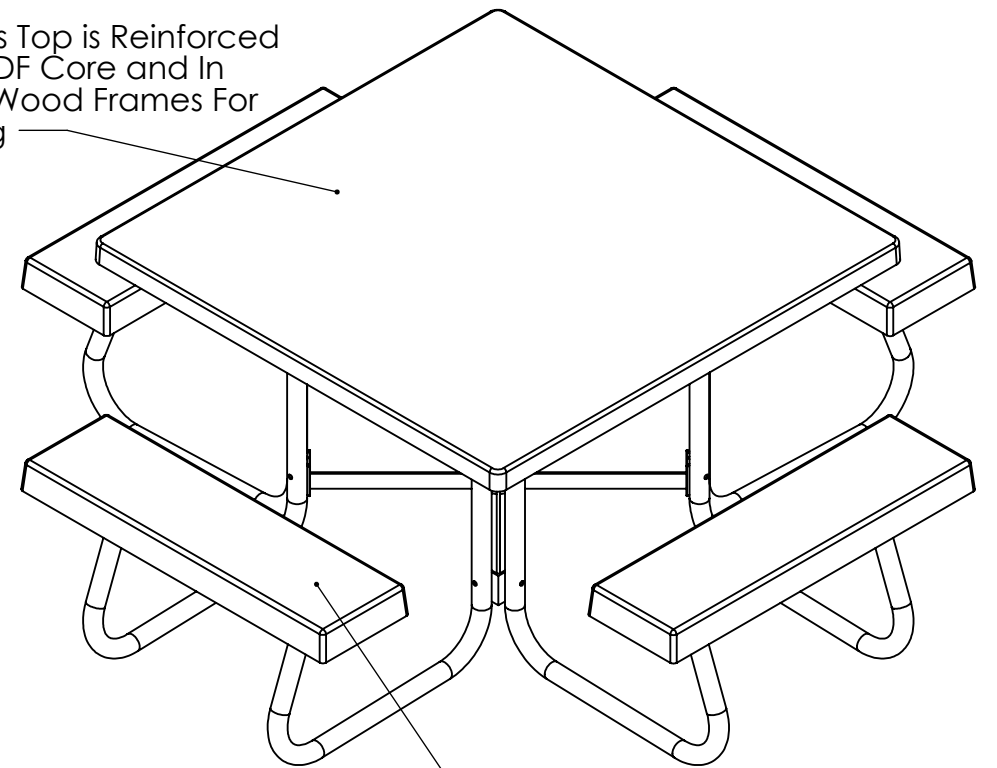


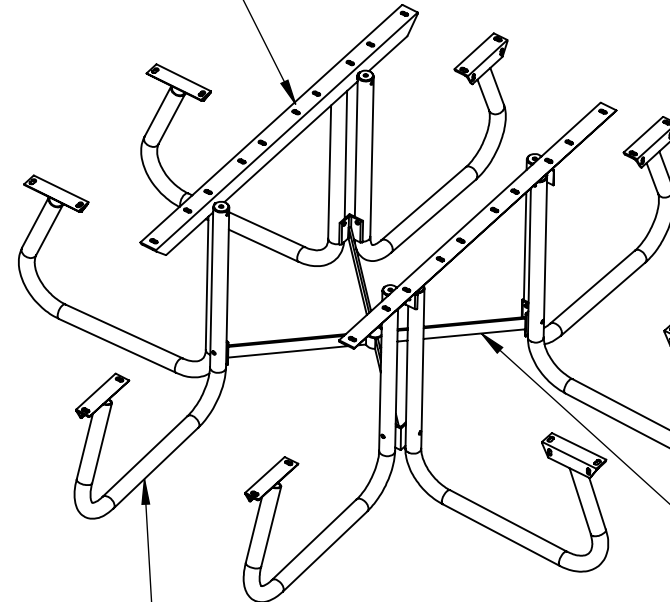
Table Rests on These Surfaces, This Enables Less Rocking of the Table and Satbilizes the Legs.

Fiberglass Top is Reinforced with a MDF Core and In Molded Wood Frames For Mounting



Seats have a MDF Core and Wooden Frame Molded in for Extra Duability

Angle Iron Top Brace Brackets



J Style Black Powder Coated Enamel Finish 1 5/8" OD Pipe

Heavy Center Cross Brace Stabilizes Entire Table Frame

Entire Frame is Finished with Black Enamel Powder Coat Finish

GENERAL NOTES:

UNLESS OTHERWISE SPECIFIED:

DIMENSIONS ARE IN INCHES  
TOLERANCES:  
FRACTIONAL ± 1/32  
BEND ± 1/2°  
THREE PLACE DECIMAL ± .005  
Do Not Scale Drawing

MATERIAL

SHEET 1 OF 1

	NAME	DATE
DRAWN	DAT	3/12/2015
CHECKED		
ENG APPR.		
MFG APPR.		
Last Saved	3/13/2015 8:59:15 AM	
COMMENTS:		

<b>K Industries, Inc.</b>		
TITLE:		
DESC. 48" SQUARE TABLE FIBERGLAS TOP AND SEATS		
S:\CADDRWGS\Solidworks\Tables\SJ\		
SIZE	PART NO.	REV
<b>B</b>	4SJCF (Spec)	