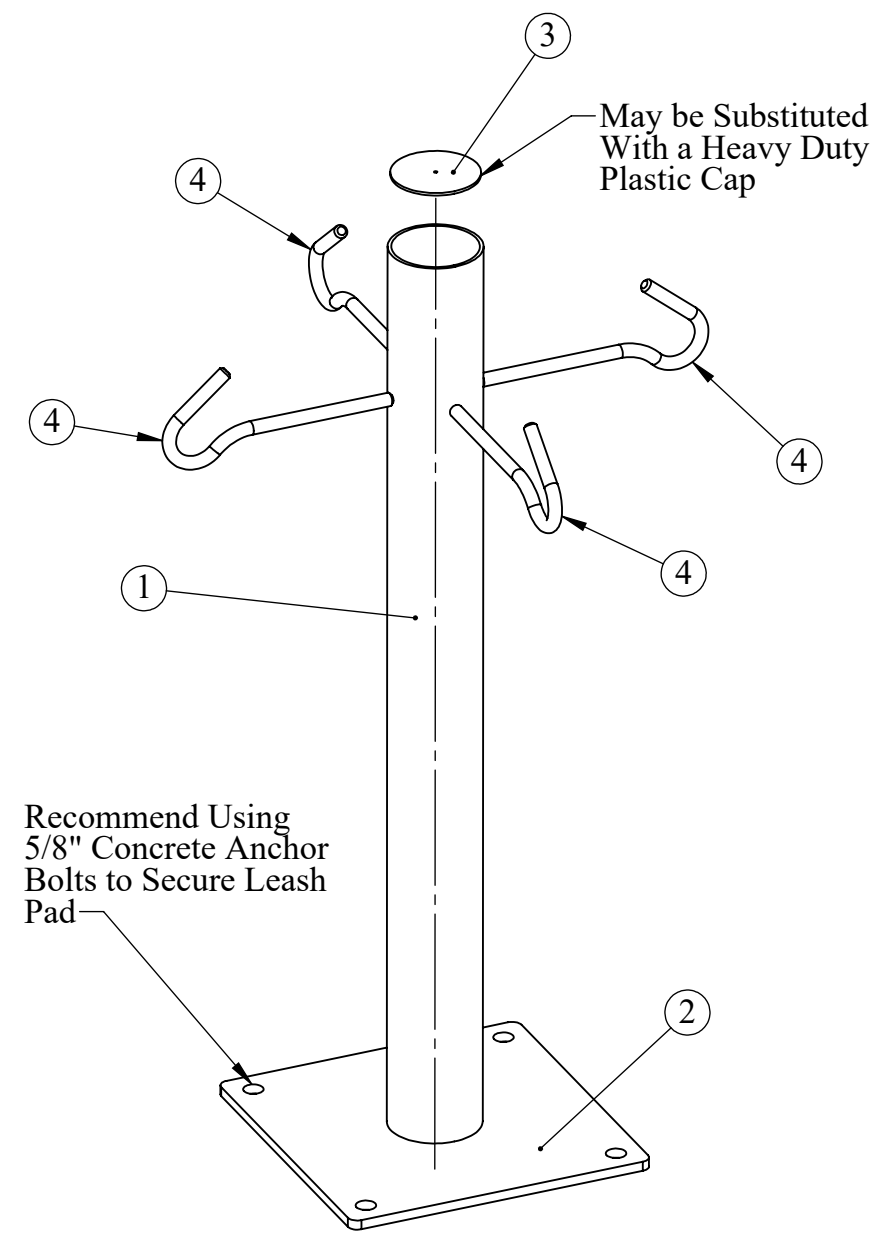
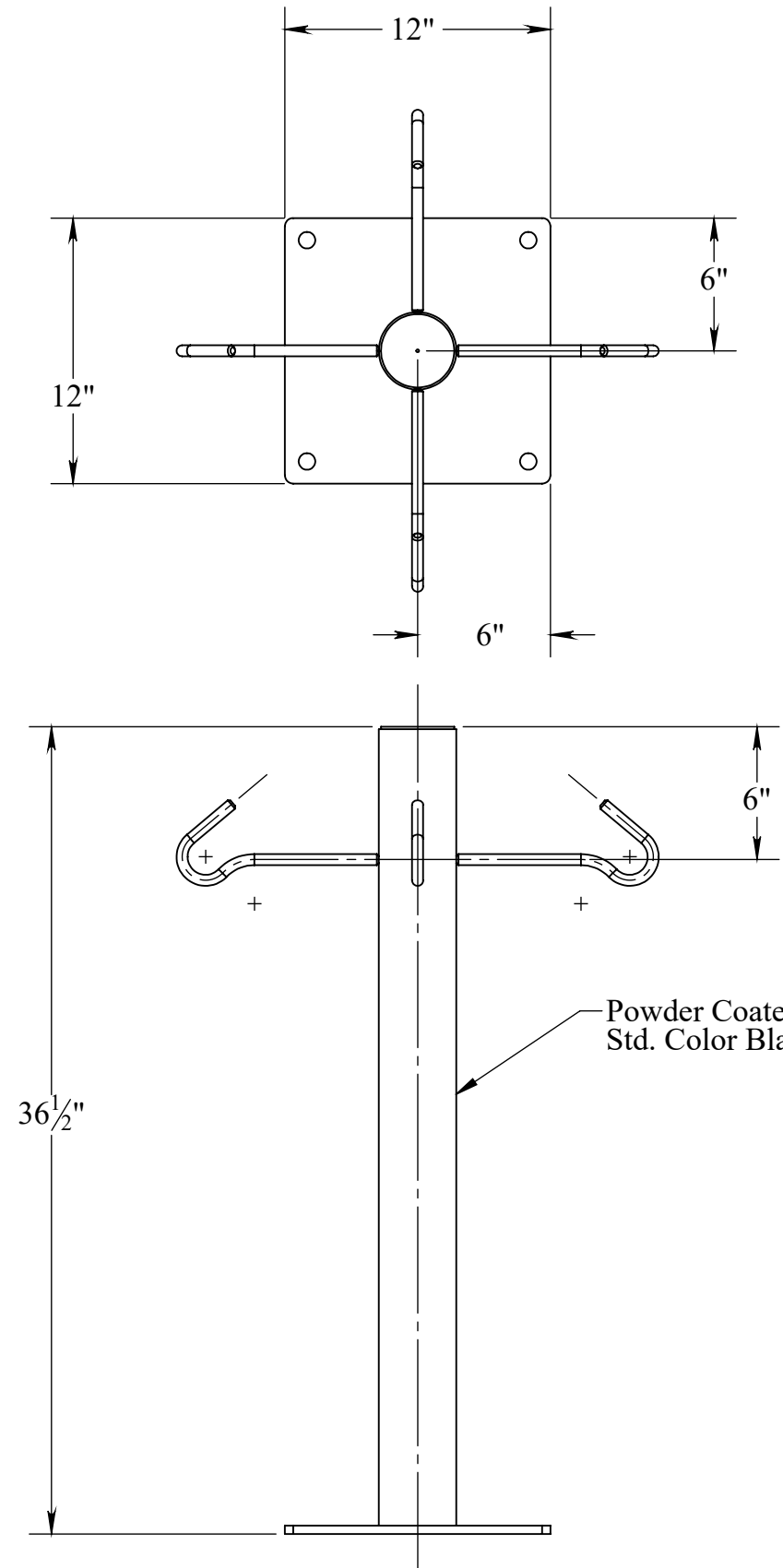


NO.	PART NUMBER	DESCRIPTION	MATERIAL	QTY.
1	DPL-236	DOG LEASH CENTER POST	3 1/2" OD ROUND TUBING 10 GA STEEL 1020	1
2	IFP-135	PEDESTAL BASE	3/8" STEEL PLATE A36	1
3	DPL-44	CAP FOR DOG LEASH POST	3 5/16" DIA. x 12GA. (.109) SHEET STEEL	1
4	DPL-HOOK	DOG LEASH HOOK	1/2" DIA HR ROUND A36	4



Consult Local Building Codes for Concrete Requirements and Soil Conditions:  
Suggest 12"x12"x12" Deep Concrete Pillar for Mounting

**EST WGT: 32.9 LBS.**

GENERAL NOTES	DIMENSIONS ARE IN INCHES TOLERANCES: LINEAR: ± 1/16 ANGULAR: ± 1°		SHEET SIZE <b>B</b>	SCALE 1:16	REV		<b>K Industries, Inc.</b>
	CONFIDENTIAL DRAWING. INFORMATION IS NOT TO BE COPIED OR DISCLOSED TO OTHERS WITHOUT CONSENT OF KAY INDUSTRIES. SPECIFICATIONS SUBJECT TO CHANGE WITHOUT NOTICE.	DRAWN BY	DAT	11/30/2016	DESC:	DOG LEASH POSTDOG PARK LEASH HOLDER	
		APPROVED			MATL:		
		LAST SAVED	davet	9/22/2017	<b>PART NO: K9PLP</b>		
PATH TO PART OR ASSM - S:\CADDRWGS\Solidworks\DOG PARK ITEMS\		Configuration - Without Hold Down Stakes		8/31/2017 1:36:46 PM	SHEET 1 OF 1		