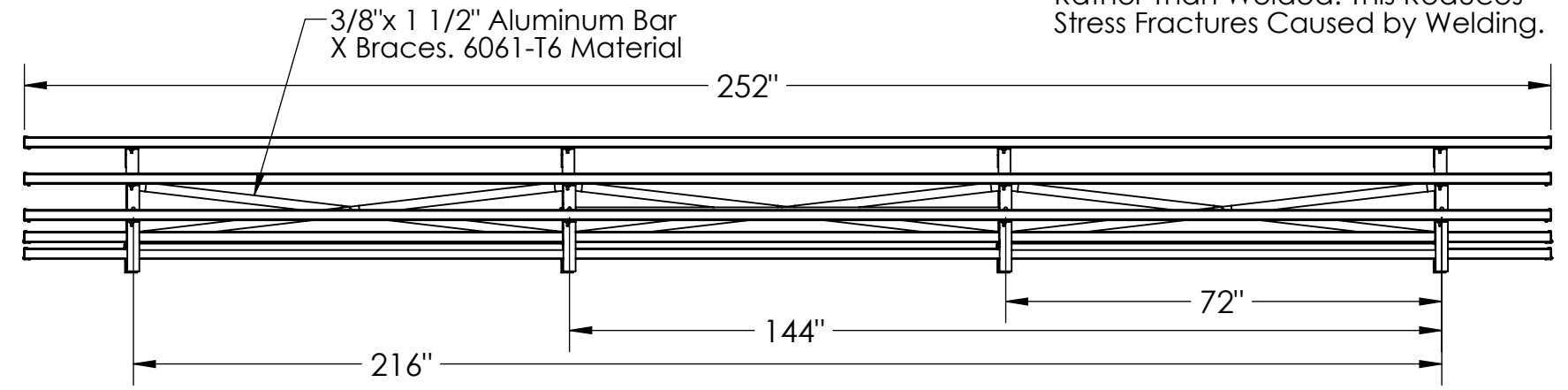


2"x 12" Extruded Anodized Aluminum Seat Planks-.078 Nominal Wall. 6063-T6 Material

2"x 10" Extruded Mill Finish Aluminum Foot Planks-.078 Nominal Wall. 6063-T6 Material

3/16"x 2"x 2" Aluminum 6061-T6 Constructed Seat Frames Bolted Together with 1/2"-13 Flanged Hex Head Bolts with Flanged Nuts. Frames are Bolted Rather Than Welded. This Reduces Stress Fractures Caused by Welding.



GENERAL NOTES

UNIT WGT: 285 LBS.

DIMENSIONS ARE IN INCHES
TOLERANCES: LINEAR: ± 1/16
ANGULAR: ± 1°

CONFIDENTIAL DRAWING.
INFORMATION IS NOT TO BE COPIED OR
DISCLOSED TO OTHERS WITHOUT
CONSENT OF KAY INDUSTRIES.
SPECIFICATIONS SUBJECT TO CHANGE
WITHOUT NOTICE.



SHEET SIZE
A

SCALE
1:64

REV



K Industries, Inc.
3 ROW ALUMINUM BLEACHER 21 FT.

DRAWN BY
DAT

DATE
11/27/2017

DESC:

11/27/2017

APPROVED

MATL:

PART NO: **BLRA3A21**

LAST SAVED

davet

11/27/2017