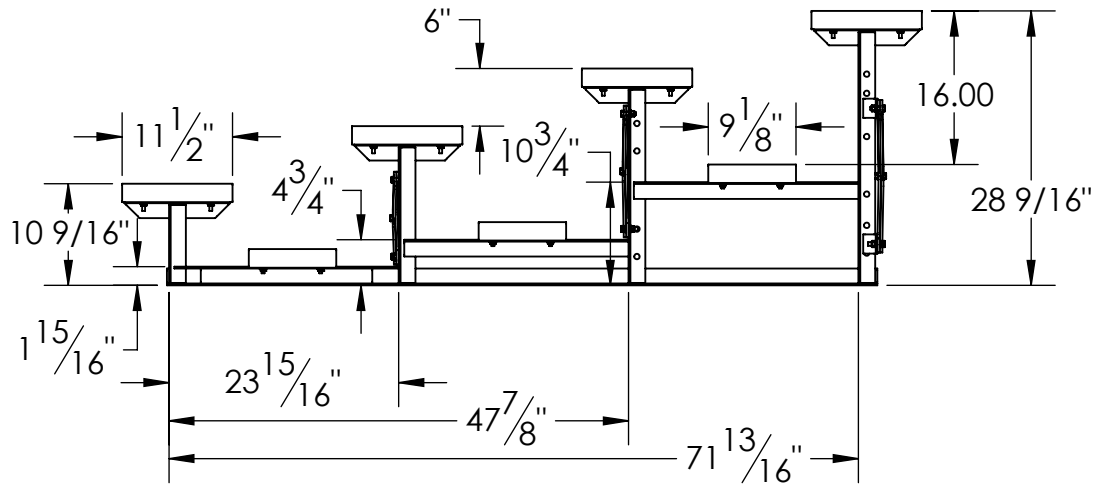
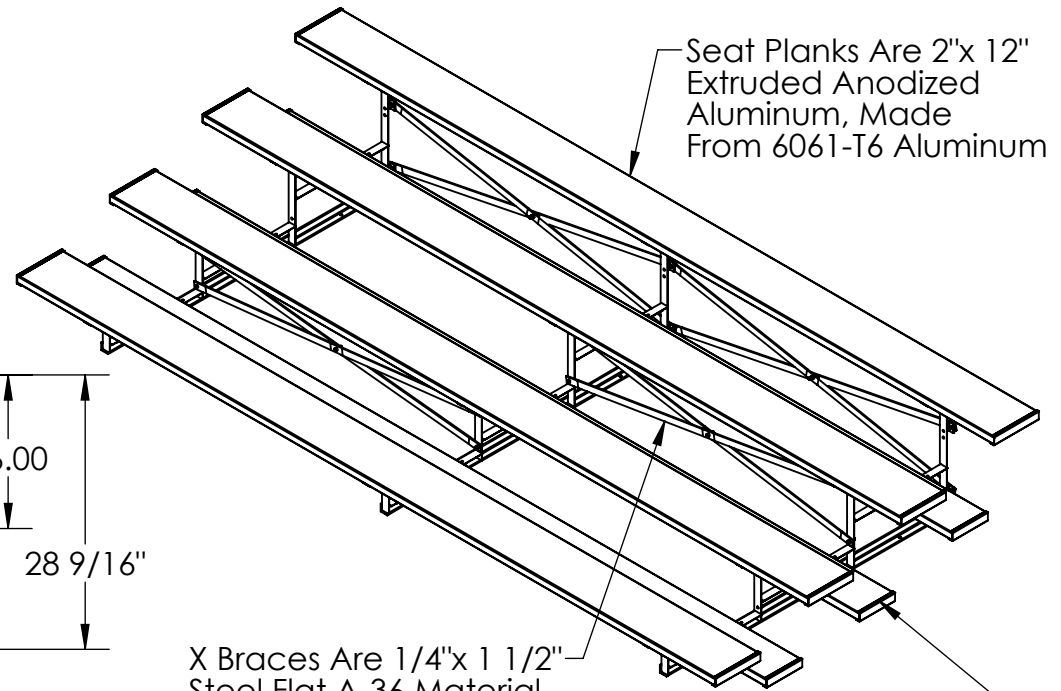
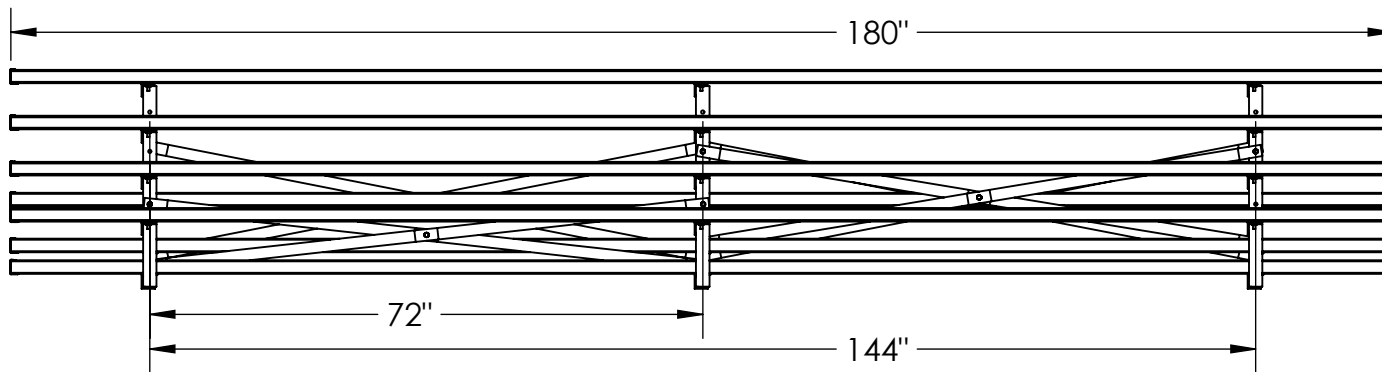


Bleacher X Braces Are Fastened With 1/2"-13x 1 1/4" Hex Head Bolts, Lock Washers, and Nuts.
 All Seat Frames Are Welded Steel Then Hot Dip Galvanized.
 Plank Over hang on Each End of the Bleacher is Approx. 18"



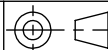
X Braces Are 1/4"x 1 1/2" Steel Flat A-36 Material. Hot Dip Galvanized Finish

Foot Planks Are 2"x 10" Extruded Mill Finished Aluminum, Made From 6061-T6 Aluminum



GENERAL NOTES

DIMENSIONS ARE IN INCHES
 TOLERANCES: LINEAR: ± 1/16
 ANGULAR: ± 1°



CONFIDENTIAL DRAWING.
 INFORMATION IS NOT TO BE COPIED OR
 DISCLOSED TO OTHERS WITHOUT
 CONSENT OF KAY INDUSTRIES.
 SPECIFICATIONS SUBJECT TO CHANGE
 WITHOUT NOTICE.

SHEET SIZE

A

SCALE

1:24

REV



DRAWN BY

DAT

5/8/2018

DESC:

4 ROW GALV LOW RISE BLG FRAME 6" RISE W/ 15' ALUMINUM PLANK

APPROVED

MATL:

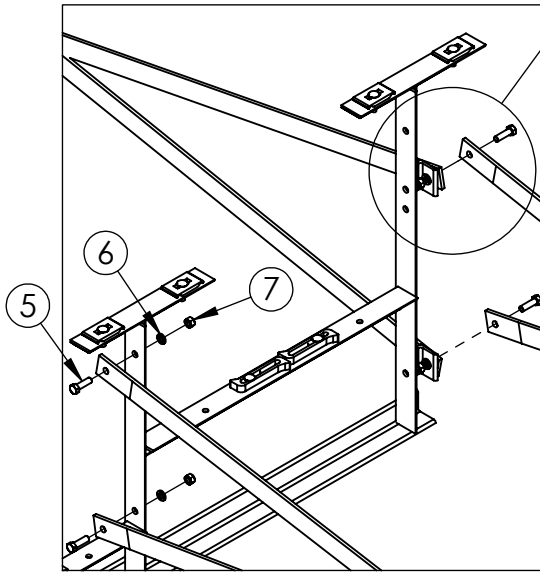
LAST SAVED

dave†

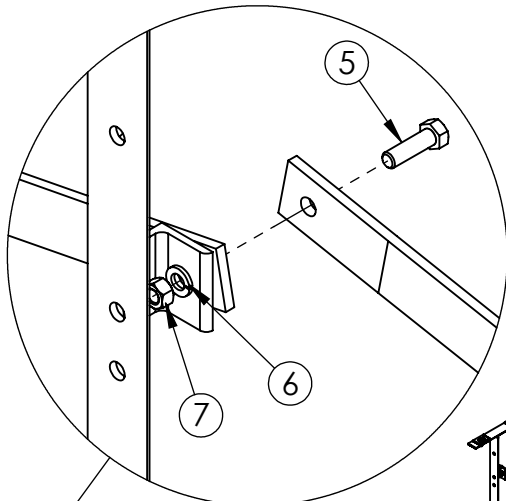
6/18/2018

PART NO: BLRG4A15

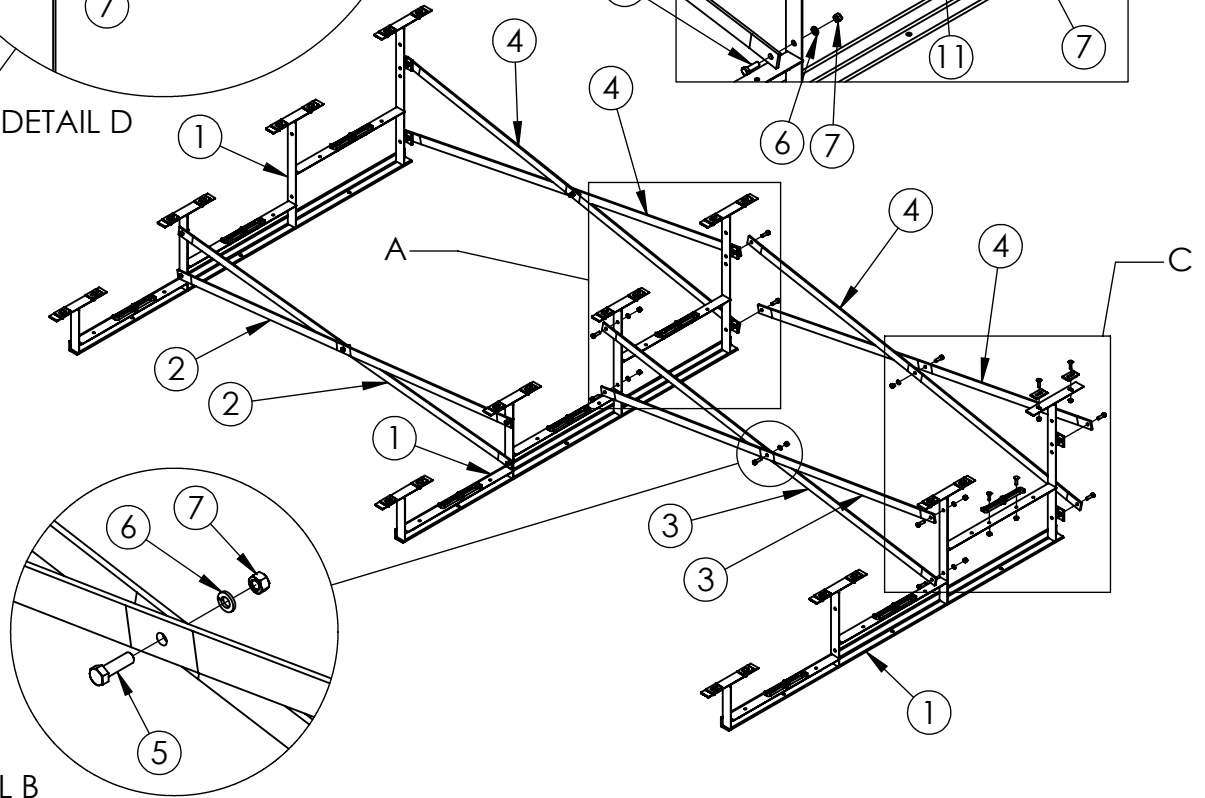
| NO. | PART NUMBER | DESCRIPTION | MATERIAL | QTY. |
|-----|--------------------------------|--------------------------------------|-------------------------------|------|
| 1 | BLG4L-SA1 | 4 ROW LOW RISE GALVANIZED SEAT FRAME | | 3 |
| 2 | IBLG-7400 | X BRACE GALVANIZED 74" | 1/4"x 1 1/2" FLAT A36 | 2 |
| 3 | IBLG-7450 | IBLG-7450 | STEEL 74 1/2" x 1 1/2" x 1/4" | 2 |
| 4 | IBLG-7488 | GALV X BRACE 74 7/8" | 1/4" x 1 1/2" FLAT A-36 | 4 |
| 5 | HBOLT 0.3750-16x1.25x1-N | 3/8"-16 x 1 1/4" HEX BOLT | Zinc Plated Steel | 18 |
| 6 | LOCKW-3/8 | LOCK WASHER 3/8" | Zinc Plated Steel | 18 |
| 7 | HNUT 0.3750-16-D-N | HNUT 0.3750-16-D-N | | 18 |
| 8 | IA-12S | 2" x 12" AND RISER PLANK CLIP | 6063-T6 | 24 |
| 9 | RHSNBOLT 0.3125-18x1.25x1.25-N | RHSN CARRIAGE BOLT 5/16-18 x 1 1/4" | | 42 |
| 10 | IA-12 | 2" x 10" PLANK CLIP | ALUMINUM EXTRUSION 6061-T6 | 18 |
| 11 | NUT-5/16-18 Flanged Nut | 5/16"-18 FLANGED HEX NUT | | 42 |



DETAIL A

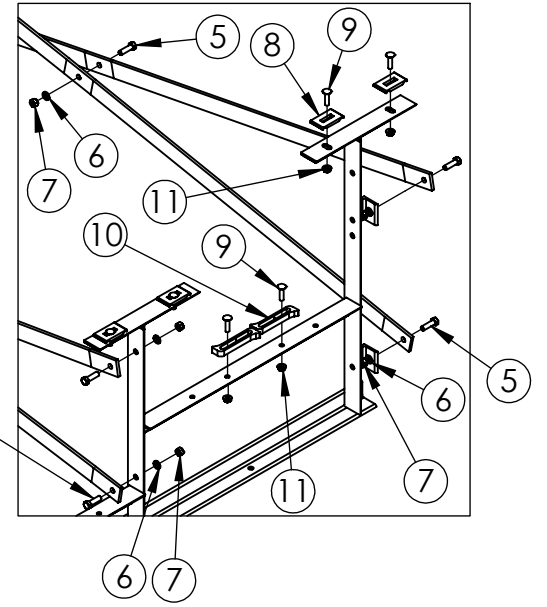


DETAIL D



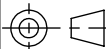
DETAIL B

DETAIL C



GENERAL NOTES

DIMENSIONS ARE IN INCHES
TOLERANCES: LINEAR: ± 1/16
ANGULAR: ± 1°



SHEET SIZE

A

SCALE

1:48

REV



K Industries, Inc.

CONFIDENTIAL DRAWING.
INFORMATION IS NOT TO BE COPIED OR
DISCLOSED TO OTHERS WITHOUT
CONSENT OF KAY INDUSTRIES.
SPECIFICATIONS SUBJECT TO CHANGE
WITHOUT NOTICE.

DRAWN BY

DAT

5/8/2018

DESC:

4 ROW GALV LOW RISE BLG FRAME 6" RISE W/ 15' ALUMINUM PLANK

APPROVED

MATL:

LAST SAVED

davet

6/18/2018

PART NO: BLRG4A15

Built In House

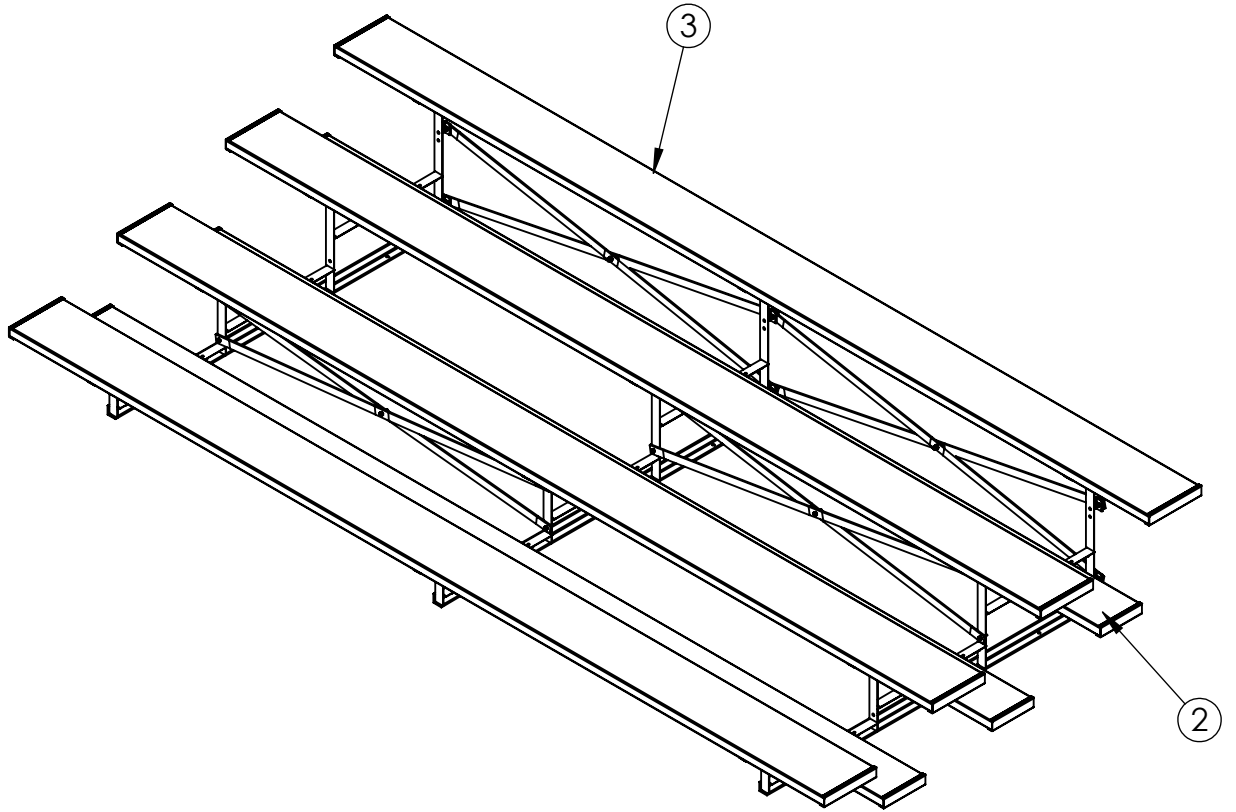
PATH TO PART OR ASSM - S:\CADDRWGS\Solidworks\Bleachers\BLG\Low Rise\

Configuration - Default

6/18/2018 10:03:36

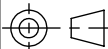
SHEET 2 OF 3

| NO. | PART NUMBER | DESCRIPTION | MATERIAL | QTY. |
|-----|--------------------------------|--------------------------------------|----------------------------------|------|
| 1 | BLG4L-SA1 | 4 ROW LOW RISE GALVANIZED SEAT FRAME | | 3 |
| 2 | 15IBL-7 | 2"x 10" FOOT PLANK 180" MILL FINISH | 6063-T6 | 3 |
| 3 | 15IA12-7 | Plank Anodized 180"(15') | .078 WALL ALUM EXTRUSION 6063-T6 | 4 |
| 4 | IBLG-7400 | X BRACE GALVANIZED 74" | 1/4"x 1 1/2" FLAT A-36 | 2 |
| 5 | IBLG-7450 | IBLG-7450 | STEEL 74 1/2" x 1 1/2" x 1/4" | 2 |
| 6 | IBLG-7488 | GALV X BRACE 74 7/8" | 1/4"x 1 1/2" FLAT A-36 | 4 |
| 7 | HBOLT 0.3750-16x1.25x1-N | 3/8"-16 x 1 1/4" HEX BOLT | Zinc Plated Steel | 18 |
| 8 | LOCKW-3/8 | LOCK WASHER 3/8" | Zinc Plated Steel | 18 |
| 9 | HNUT 0.3750-16-D-N | HNUT 0.3750-16-D-N | | 18 |
| 10 | IA-12S | 2"x 12" AND RISER PLANK CLIP | 6063-T6 | 24 |
| 11 | RHSNBOLT 0.3125-18x1.25x1.25-N | RHSN CARRIAGE BOLT 5/16-18 x 1 1/4" | | 42 |
| 12 | IA-12 | 2"x 10" PLANK CLIP | ALUMINUM EXTRUSION 6061-T6 | 18 |
| 13 | NUT-5/16-18 Flanged Nut | 5/16"-18 FLANGED HEX NUT | | 42 |



GENERAL NOTES

DIMENSIONS ARE IN INCHES
TOLERANCES: LINEAR: ± 1/16
ANGULAR: ± 1°



SHEET SIZE

A

SCALE

1:48

REV



K Industries, Inc.

CONFIDENTIAL DRAWING.
INFORMATION IS NOT TO BE COPIED OR
DISCLOSED TO OTHERS WITHOUT
CONSENT OF KAY INDUSTRIES.
SPECIFICATIONS SUBJECT TO CHANGE
WITHOUT NOTICE.

DRAWN BY

DAT

5/8/2018

DESC:

4 ROW GALV LOW RISE BLG FRAME 6" RISE W/ 15' ALUMINUM PLANK

APPROVED

MATL:

LAST SAVED

davet

6/18/2018

PART NO: BLRG4A15

Built In House

PATH TO PART OR ASSM - S:\CADDRWGS\Solidworks\Bleachers\BLG\Low Rise\

Configuration - Default

6/18/2018 10:03:36

SHEET 3 OF 3