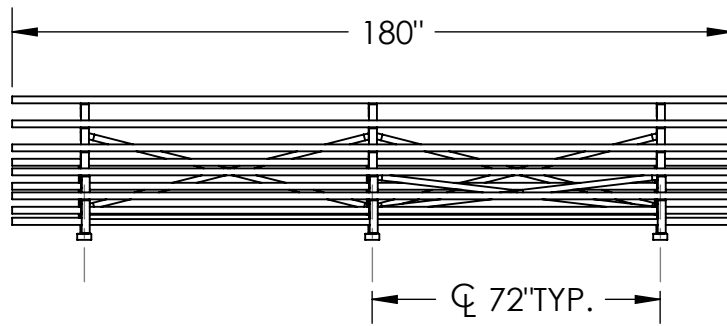


108"

Nominal 2"x12"x.078  
Aluminum Alloy 6063  
T6 Extruded Seat plank  
with an Anodized Finish

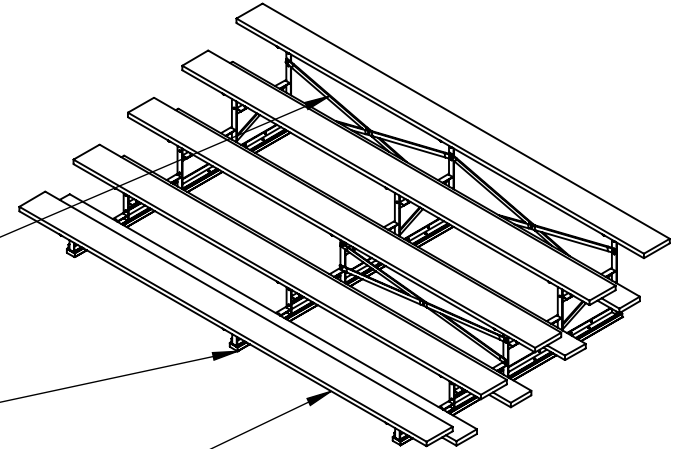
Nominal 2"x10"x.078  
Aluminum Alloy 6063  
T6 Extruded Single Foot  
Board with a Mill Finish



180"

☉ 72" TYP.

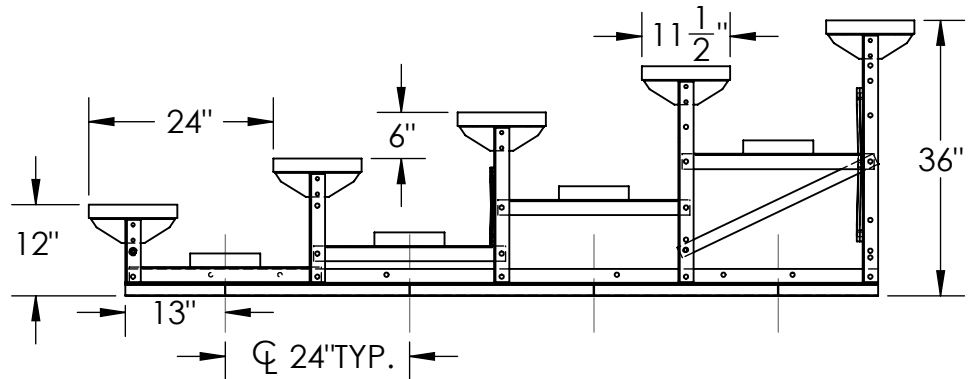
Frame Anchor Spacing



3/8" x 1-1/2"  
Aluminum  
X Braces

Optional 2"x4"  
#1 Southern  
Yellow Pine  
Mudsill Shown

1" O.D. Galvanized  
1st Row Tube Brace



Frame Anchor Spacing

	Initials	Date	<b>Kay Park-Rec Corp.</b> 1301 Pine Street Janesville, IA 50647 1-800-553-2476 WWW.KAYPARK.COM	<b>Spec Drawing</b> Model #: BLRA5A15 Description: 5 Row 15 Foot Low Rise Aluminum Frame Bleacher with Single Foot Boards and No Guardrails	Notes: This Drawing and all information contained herein is the property of Kay Park Rec. and is not to be reproduced without express written permission. Kay Park Rec. assumes no responsibility for unauthorized use of this drawing. Kay Park Rec. is not responsible for local permits and occupancy requirements.
Created:		2/22/2011			
Saved:		3/28/2011			
S:\CADDRWGS\Solidworks\Bleachers\Spec Drawings\					

