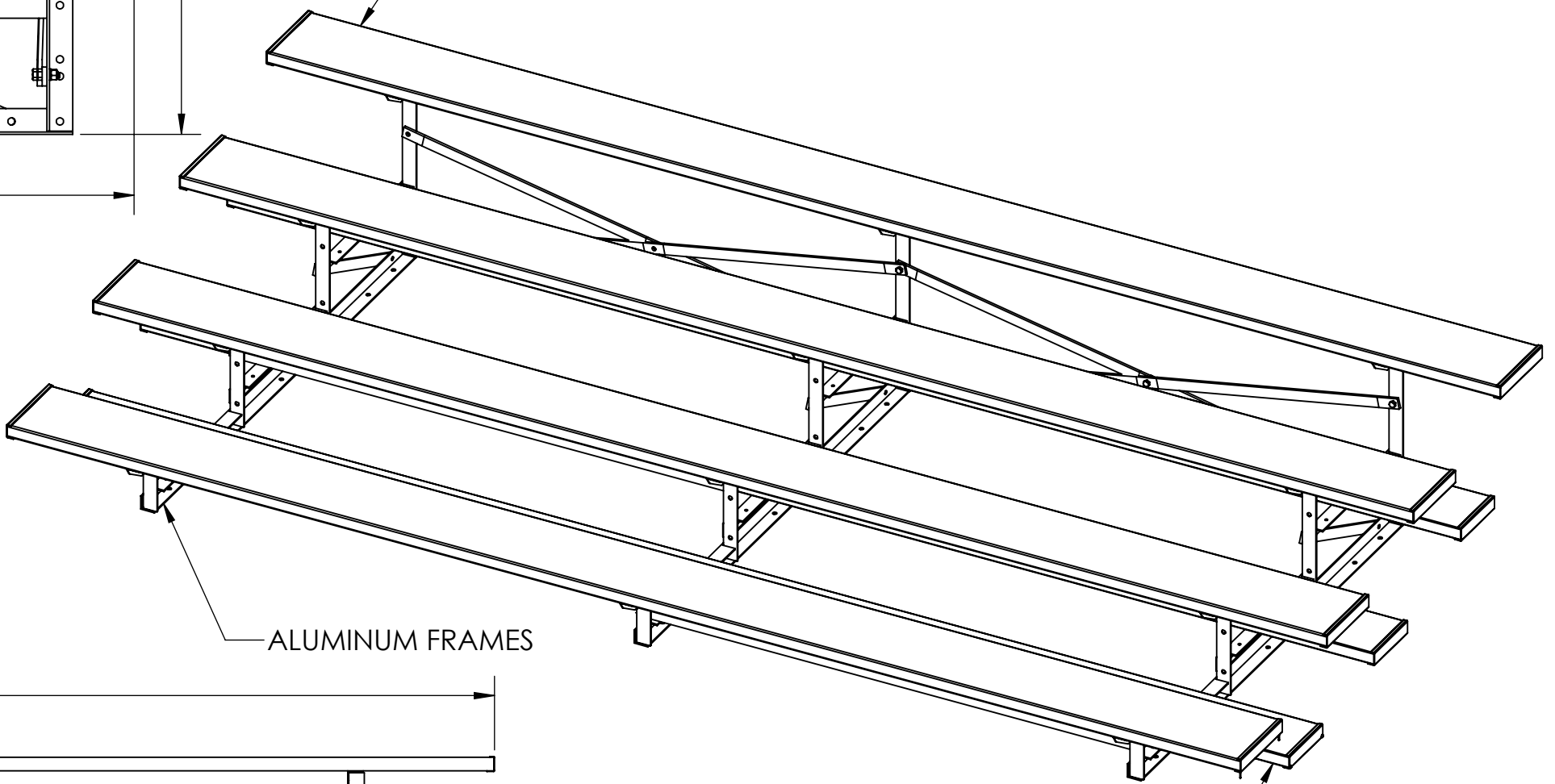
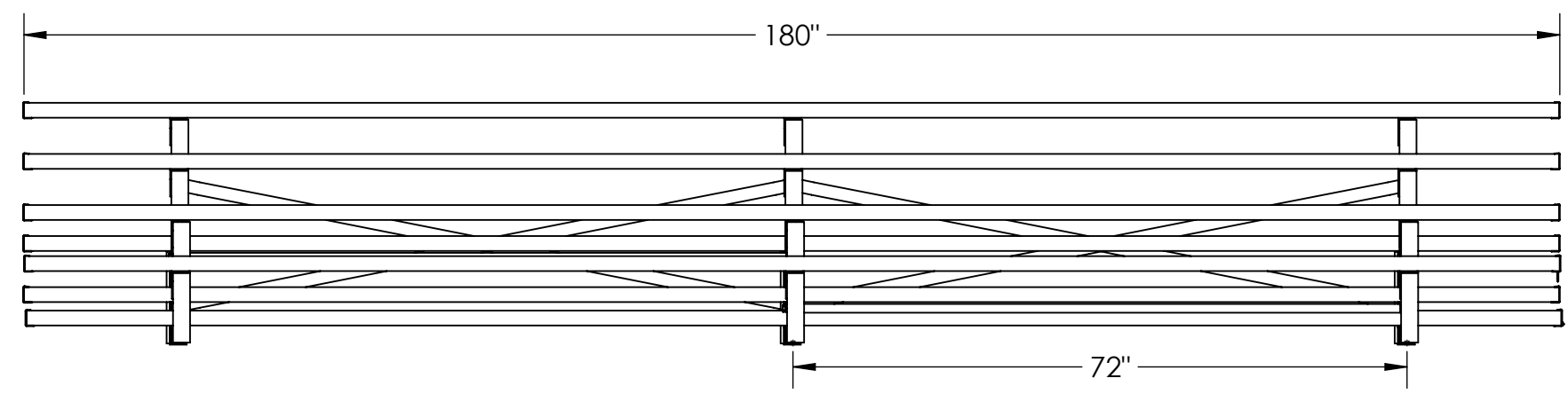


2"X 12" EXTRUDED ALUMINUM PLANKS WITH ANODIZED FINISH



ALUMINUM FRAMES

2"X 10" ALUMINUM EXTRUDED FOOT PLANKS WITH MILL FINISH



WGT: 300 LBS

GENERAL NOTES CONFIDENTIAL DRAWING. INFORMATION IS NOT TO BE COPIED OR DISCLOSED TO OTHERS WITHOUT CONSENT OF KAY INDUSTRIES. SPECIFICATIONS SUBJECT TO CHANGE WITHOUT NOTICE.	DIMENSIONS ARE IN INCHES TOLERANCES: LINEAR: ± 1/16" ANGULAR: ± 1°		SHEET SIZE B	SCALE 1:20	REV		Kay Park Rec. 15' 4 ROW LOW RISE BLEACHER	
				DRAWN BY JNB	6/2/2017		DESC:	
				APPROVED				MATL:
				LAST SAVED johnb	6/2/2017			PART NO: BLRA4A15