

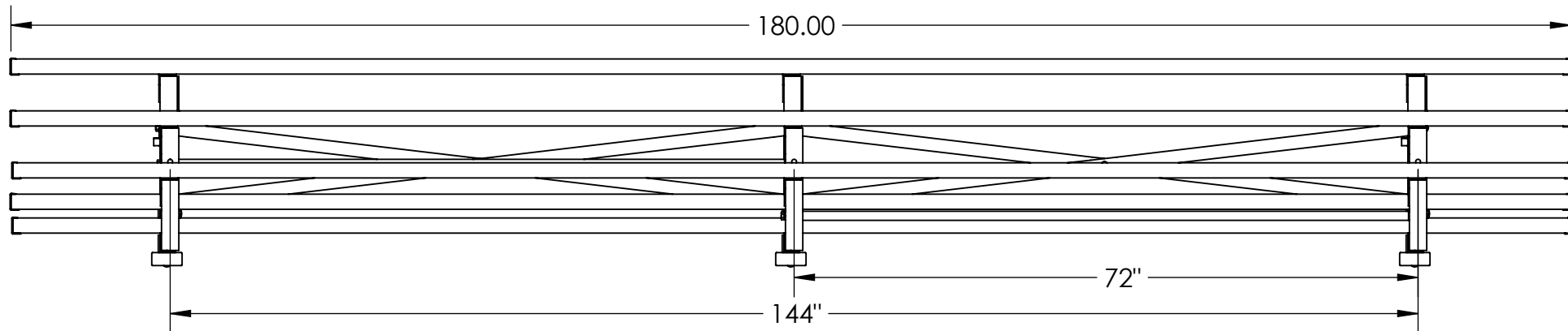
2"X 12" ALUMINUM EXTRUDED SEAT PLANK WITH MILL FINISH

5" CASTORS
2 WITH BRAKE
2 WITHOUT BRAKE

ALUMINUM FRAMES

2"X 4" TREATED SOUTHERN YELLOW PINE MUDSILLS

2"X 10" ALUMINUM EXTRUDED FOOT PLANK WITH ANODIZED FINISH



GENERAL NOTES

DIMENSIONS ARE IN INCHES
TOLERANCES: LINEAR: $\pm 1/16$
ANGULAR: $\pm 1^\circ$

CONFIDENTIAL DRAWING.
INFORMATION IS NOT TO BE COPIED OR DISCLOSED TO OTHERS WITHOUT CONSENT OF KAY INDUSTRIES.
SPECIFICATIONS SUBJECT TO CHANGE WITHOUT NOTICE.

SHEET SIZE	SCALE	REV
B	1:18	
DRAWN BY	JNB	6/9/2017
APPROVED		
LAST SAVED	johnb	6/12/2017

	Kay Park Rec. DESC: 3 ROW 15' LOW RISE TIP AND ROLL BLEACHER
	MATL:
	PART NO: BLRA3A15TR