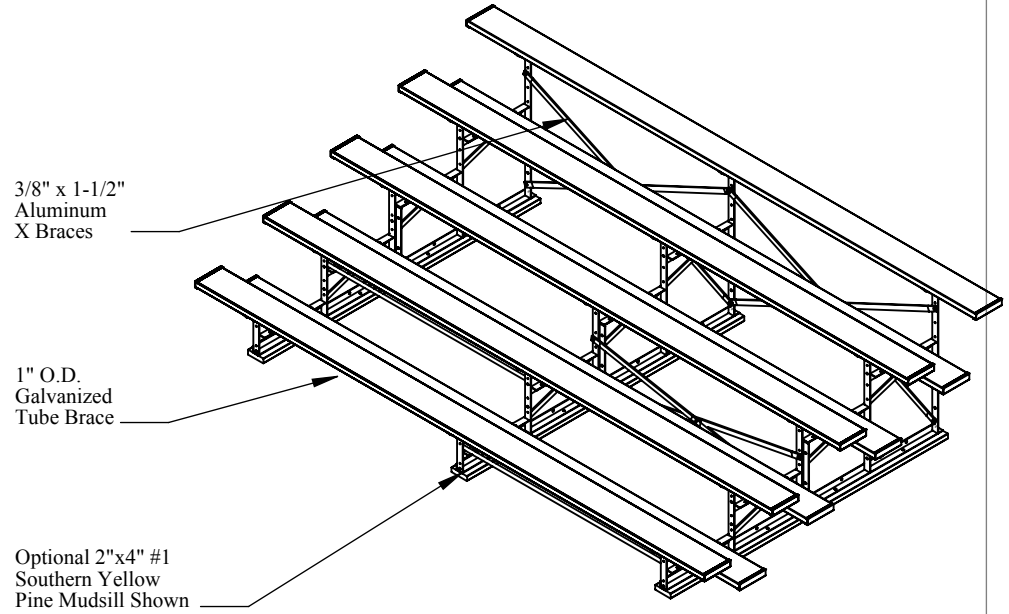




Nominal 2"x10"x.078 Aluminum Alloy 6063 T6 Extruded Foot plank with an Mill Finish

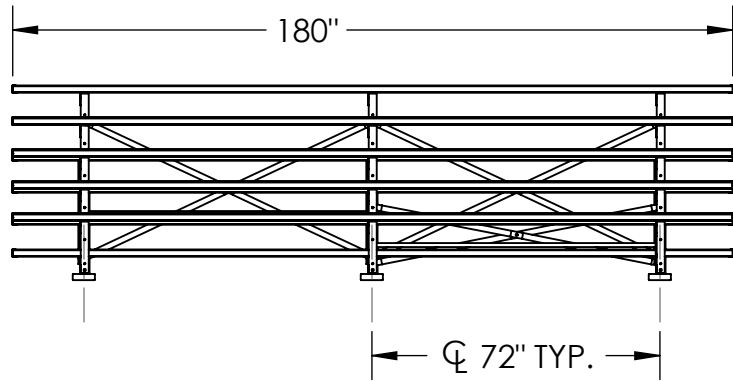
Nominal 2"x10"x.078 Aluminum Alloy 6063 T6 Extruded Seat plank with an Anodized Finish



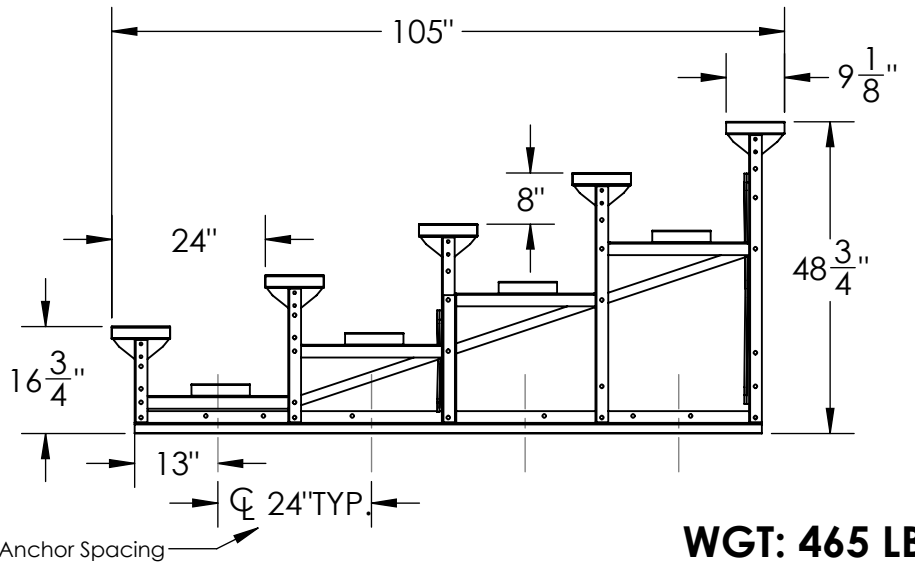
3/8" x 1-1/2" Aluminum X Braces

1" O.D. Galvanized Tube Brace

Optional 2"x4" #1 Southern Yellow Pine Mudsill Shown



Frame Anchor Spacing



Frame Anchor Spacing

WGT: 465 LBS.

Initials	Date	Kay Park-Rec Corp. 1301 Pine Street Janesville, IA 50647 1-800-553-2476 WWW.KAYPARK.COM	Spec Drawing Model #: BLA5A15 Description: 5 Row 15 Foot Aluminum Frame Bleacher with Single Foot Boards and No Gaurdrails	Notes: This Drawing and all information contained herein is the property of Kay Park Rec. and is not to be reproduced without express written permission. Kay Park Rec. assumes no responsibility for unauthorized use of this drawing. Kay Park Rec. is not responsible for local permits and occupancy requirements.
Created: DAT	2/21/2011			
Saved:	3/17/2015			
S:\CADDRWGS\Solidworks\Bleachers\BLA\BLA Assemblies\Bleachers (17in)				

