

**Available planking:**

1. Nominal 2" x 10" x .078" thick 6063 T6 aluminum alloy available in 15', 21', and 27' lengths, as one continuous piece. Seat planks are anodized 204-R1 while foot planks are mill finish aluminum.

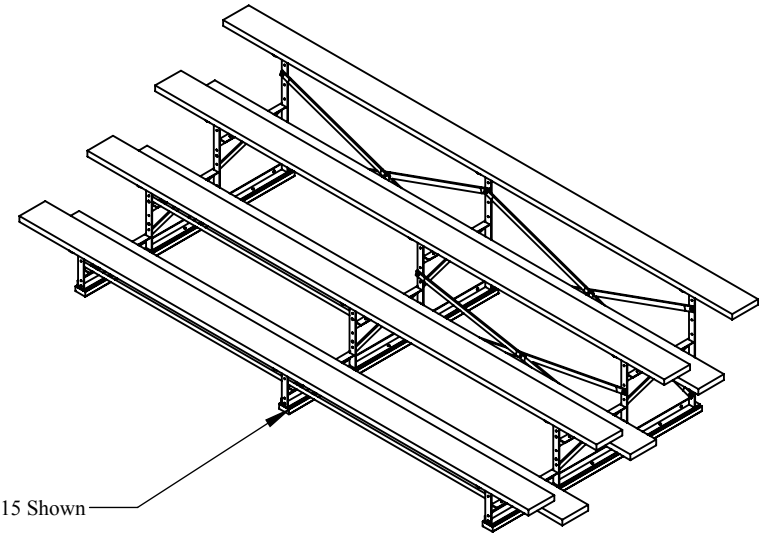
**High Quality Construction:**

1. Frames are fabricated from 2" x 2" x 3/16" 6061-T6 aluminum angles.
2. 1st row braces are 1" O.D. tubing and 1/4" thick flanges for bolting, with a galvanized finish.
3. X braces are fabricated from 3/8" x 1-1/2" 6061-T6 aluminum flat bars.
4. Seat brackets are fabricated from 1/8" 6061-T6 aluminum extrusions.
5. All bolted joints use 1/2" diameter zinc/empigard plated bolts or 3/8" flange head nuts.
6. We use bolts for joining rather than welds to avoid stress cracking associated with welding.
7. All bleachers have frames that are on 6' centers with 18" of plank overhang on each end.
8. 7-1/2' bleachers are 2 frames wide.
9. 15' bleachers are 3 frames wide.
10. 21' bleachers are 4 frames wide.
11. 27' bleachers are 5 frames wide.

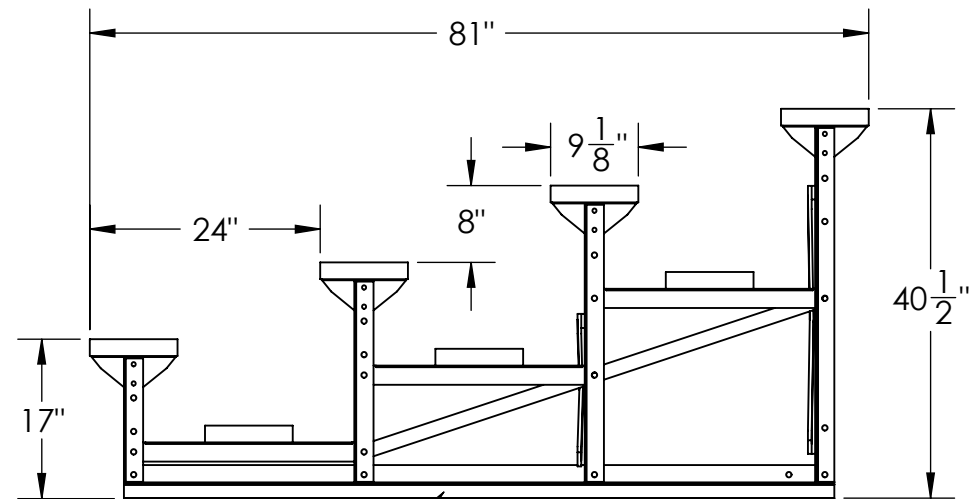
**Additional options:**

1. Tip and roll caster systems are available on the 15', 21', and 27' models this includes the 3 row, 4 row, and 5 row models without railings. The tip and roll feature will accommodate easy indoor movement of bleacher system from one location to another. Tip and roll system comes complete with non-marring wood floor sills and 5" non-marring casters.
2. Longer length bleachers are available upon request. Bleachers longer than 27' will have plank splices.

BLA4 Bleachers come with single foot boards & no guardrails.(Check Your Local Codes)



Model # BLA4A15 Shown



Optional 2" x 4" CCA treated #1 southern yellow pine mudsill shown

THESE BLEACHERS & FRAMES ARE DESIGNED AND TESTED TO BE IN ACCORDANCE WITH FEDERAL SPEC. # RR-B-425-C AND THE 2006 IBC WITH THE EXCEPTION OF THE REQUIREMENT FOR AN AISLE.

	Initials	Date	<b>Kay Park-Rec Corp.</b> 1301 Pine Street Janesville, IA 50647 1-800-553-2476 WWW.KAYPARK.COM	<b>Spec Drawing</b> Model #: BLA4 Description: Aluminum Frame 4 Row Bleacher with Aluminum Planking, Single Foot Boards, and No Gaurdrails	Notes: This Drawing and all information contained herein is the property of Kay Park Rec. and is not to be reproduced without express written permission. Kay Park Rec. assumes no responsibility for unauthorized use of this drawing. Kay Park Rec. is not responsible for local permits and occupancy requirements.
Created:		1/24/2011			
Saved:		2/21/2011			
S:\CADDRWGS\Solidworks\Bleachers\Spec Drawings\					

