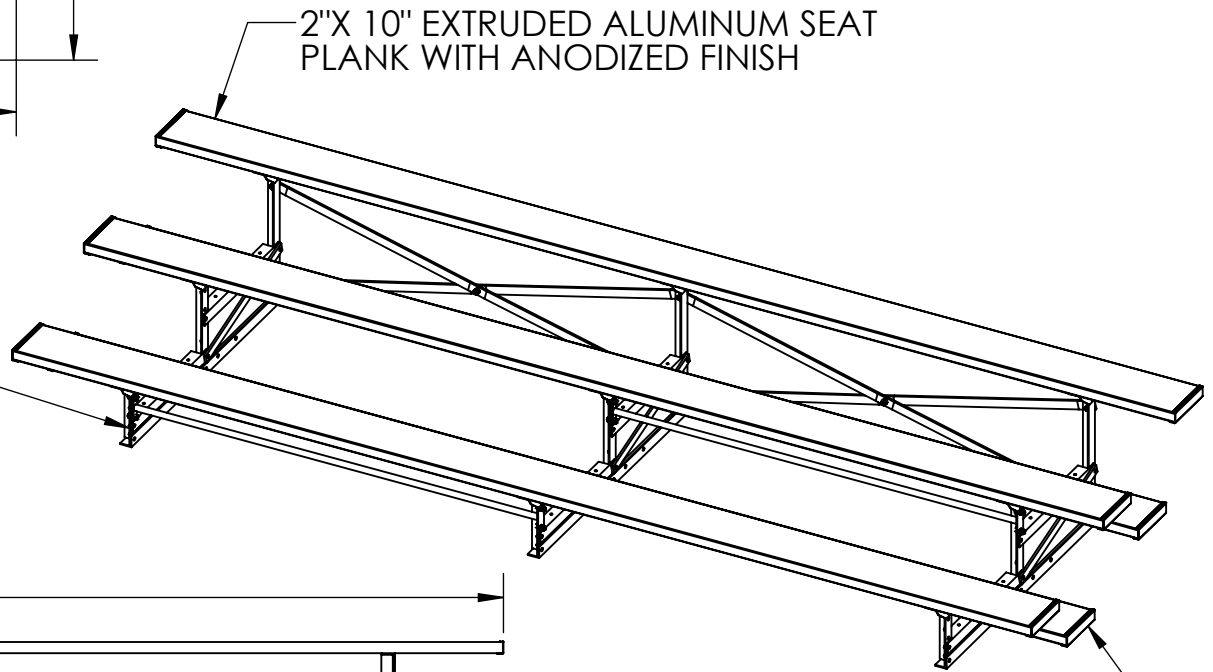
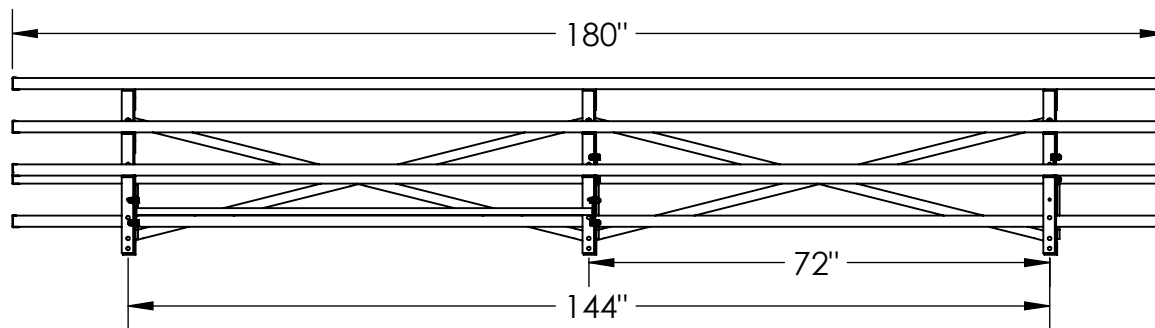


2"X 10" EXTRUDED ALUMINUM SEAT PLANK WITH ANODIZED FINISH

ALUMINUM FRAMES

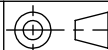


2"X 10" EXTRUDED ALUMINUM FOOT PLANKS WITH MILL FINISH



GENERAL NOTES

DIMENSIONS ARE IN INCHES
TOLERANCES: LINEAR: ± 1/16
ANGULAR: ± 1°



CONFIDENTIAL DRAWING.
INFORMATION IS NOT TO BE COPIED OR
DISCLOSED TO OTHERS WITHOUT
CONSENT OF KAY INDUSTRIES.
SPECIFICATIONS SUBJECT TO CHANGE
WITHOUT NOTICE.

SHEET SIZE

A

SCALE

1:30

REV



Kay Park Rec.

DRAWN BY

JNB

6/13/2017

DESC:

3 ROW 15' BLEACHER

APPROVED

MATL:

LAST SAVED

johnb

6/13/2017

PART NO: BLA3A15